



TR 3200 Shower Trolley

Hygiene Equipment
Designed for People



Multi-tasking shower trolley with endless application possibilities

The TR 3200 battery operated shower trolley (max patient weight 440 lb.) is unique with its side mounted column, allowing the trolley stretcher to overlap the bed further for a safe and easy resident transfer.

The TR3200 comes in two sizes; standard as 1950 x 695 mm and the large version 2150 x 795 mm.

Both version are available with on board battery solution or with removeable rechargeable batteries.



Registered at Medical Products Agency, Sweden, as a MD Class 1 product, MDD 93/42EEC.

TR reserves the right to make design changes and/or improvements without notice.



The TR3200 height adjustable Shower Trolley is a great solution to prevent back injuries and to minimize static load and offers a safe and ergonomic working environment for the caregiver.

The trolley provides a safe patient handling environment for both the resident and the caregiver as the offset columns allow for greater depth of overlap to the bed for patient transfers.



TR EQUIPMENT



TR 3200 Shower Trolley

Hygiene Equipment
Designed for People



Features

- Designed for easy cleaning and ease in mobility.
- Side mounted column for improved patient transfers.
- Maximum patient weight of 440 lb. (200 kg).
- Large patient care area at 25.2" or 29.1".
- Easy change of designated head by mattress rotation.
- The side rails can be pressed together when travelling through narrow doorways reducing the trolley width.
- Floor clearance at 6.3" to enable floor lift transfers.
- Quietly and smooth height/tilt adjustable motion.
- The stretcher can easily be tilted to the "Trendelenburg" position, to alleviate person in shock.
- The chassis and sub-frames are made of stainless steel.
- All models comes with a battery charger, mattress, pillow and 3.3" drainage hose as standard.
- Both versions Standard and Large are available with an on board battery solution or with removeable rechargeable batteries.



Hand control for height/tilt adjustment



4" twin casters as standard.
2 broken and 2 straight steering.



Flexible draining hose with hose holder

Specifications

| | |
|---------------------------|----------------------------------------------------------------------------------|
| Length | Standard 76.8", Large 84.6" (1950/2150 mm) |
| Width | Standard 27.4", Large 31.3" with side rails in upright position |
| Height | Min 19.7" / Max 35.4" (500 - 900 mm) |
| Max Patient Weight | 440 lbs (200 kg) |
| Chassis | Powder coated stainless steel |
| Castors | 4" twin (100 mm) castors. 2 with locking brakes and 2 with straight steering |
| Control | Hand control for height and tilt adjustment |
| Mattress, Pillow | Blue. Flame retardant material |
| Battery | On board rechargeable; 24 V, 2 x 7Ah Removeable rechargeable; 1 x 24 V, 5 Ah |

Models with om board batteries

| | | |
|-----------|----------|-------------------------------|
| TR 3200 | Standard | 76.8" x 27.4" (1950 x 695 mm) |
| TR 3200 L | Large | 84.6" x 31.3" (2150 x 795 mm) |

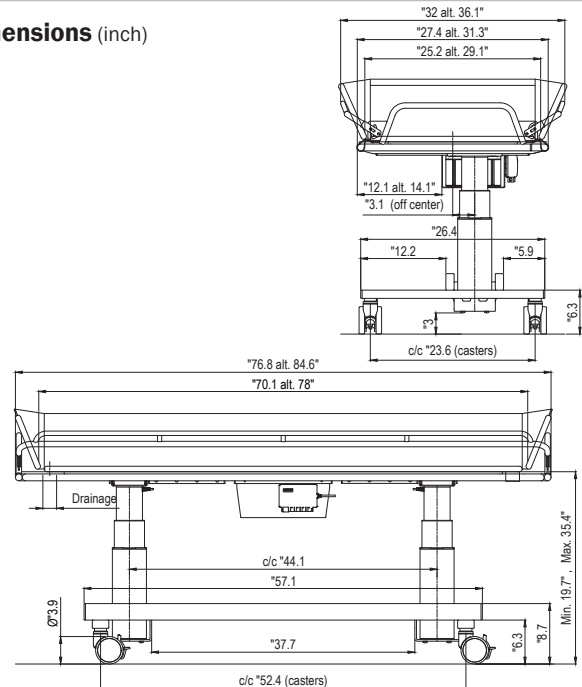
Models with rechargeable batteries

| | | |
|------------|----------|-------------------------------|
| TR 3200 R | Standard | 76.8" x 27.4" (1950 x 695 mm) |
| TR 3200 RL | Large | 84.6" x 31.3" (2150 x 795 mm) |

Accessories/Options

- Backrest wedge pillow, 15 or 30 degrees.
- All models can be delivered with blue (standard) or grey pillow.
- Fastners/straps for attachment on mattresses to siderails.
- Longer drainage hose 8.2 ft. (2.5 m), instead 3.3 ft (1 m) as standard.

Dimensions (inch)



Head Office
TR Equipment AB, Sweden
Phone: +46 140 38 50 60
info@trequipment.se
www.trequipment.com

TR Group Inc
130 North Madison Street
Rockford, IL 61107, USA
Phone: +1 (800) 752 6900
Email: information@trequipment.com
www.trequipment.com



TR EQUIPMENT